



JACKS,
COUPLERS
& WINCHES

Jacks, Couplers & Winches

We make it a point to have a wide selection of top quality trailer parts available to our customers. Regardless of the type of trailer you build or repair, we have something to fit your needs.

Fold-Away™ Hinge Kits	F-2	Magnum Lift Bolt-On Electric Motor	F-20
Pacific Rim Couplers	F-2	Bulldog Bolt-On Electric Motor	F-21
Straight Tongue Couplers	F-3 & F-4	Leveling Scissor Jack	F-21
A-Frame Couplers	F-5	Stabilizer Jack	F-21
Coupler & Jack Combos	F-6	Wheel Chock	F-21
3" Adjustable Pintle Eye	F-6	Big Foot Hydraulic Jack	F-22
Heavy Duty Adjustable Clevis, Coupler & Brackets	F-6	Atwood Duraleg Jack	F-22
3/4" Adjustable Clevis	F-7	Blaylock EZ Jack	F-22
Adjustable Tongue Couplers	F-7 & F-8	Dropleg Jacks	F-23 - F-25
Packaged Coupler Latch Repair Kits	F-9	Heavy Duty Jacks	F-25
Gooseneck Coupler Heads	F-9	Heavy Duty Landing Gear	F-26
King Pin Gooseneck Coupler	F-9	Dropleg Jack & Landing Gear Accessories	F-26
Gooseneck Couplers	F-10 - F-12	RV Landing Gear	F-26
Flat Mount Couplers	F-12	A-Frame Jack Support Plates & Flanges	F-27
Square Mount Draw Bars & Nose Plates	F-12	Jack Feet & Casters	F-27
Tow Ring Draw Bars	F-13	Swivel Jack Mounting Brackets	F-27
Flat Draw Bars	F-13	Redline Jack Repair Parts	F-28
A-Frame Jacks	F-13 & F-14	SAF-Holland Jack Repair Parts	F-28
Pipe Mount Swivel Jacks	F-14 - F-16	Bulldog Jack/Coupler Repair Parts	F-28
Snap Ring & Bolt-Thru Swivel Jacks	F-16 - F-17	Shelby Winches	F-29
Boxed Swivel Jacks	F-18	Fulton Single Speed Winches	F-29
Kickstand Jack	F-18	Winch Straps	F-29
Rack Posts and Gearboxes	F-18	Ramsey Electric Winches	F-30
Quality Made Import Jacks	F-19		
Power Jacks	F-20		



Fulton Fold-Away™ Hinge Kits



Do-it-yourself, bolt-on FOLD-AWAY™ Hinge Kits provide professional results and excellent corrosion protection with Z-Max 600-hour clear zinc finish. These kits include fold-away hinges, mounting hardware, pivot bolt, pivot pin/clip and Limited 5 Year Warranty.



New Marine Items!



PART NO.	REF. NO.	DESCRIPTION
HDPB33	264172	FULTON BOLT-ON FOLD AWAY CPLR HNGE KIT 3"X3" 3.5K
HDPB34	264176	FULTON BOLT-ON FOLD AWAY CPLR HNGE KIT 3"X4" 6K

Pacific Rim Couplers

Zinc plated straight tongue couplers are ideal for marine, utility and cargo applications.

JACKS, COUPLERS & WINCHES



CA5210B



CA5400



CT3003



CA5190B



CA5290B



CT3001Z



CA5200B



CA5100B



New Marine Items!

CT3003Z



PART NO.	REF. NO.	DESCRIPTION
CA5210B	263480	2" A-FRAME COUPLER 8K LB YOKE STYLE T
CA5190B	263583	FORGED A-FRAME COUPLER 2" BALL 7K CAP.
CA5290B	263617	FORGED A-FRAME COUPLER 2 5/16" 12.5K CAPACITY
CA5100B	263446	A-FRAME COUPLER 2" BALL 5K CAP BLACK PAINTED
CA5400	263569	A-FRAME COUPLER 2 5/16" 14K CAP OILY FINISH
CT3001Z	262958	STRAIGHT TONGUE COUPLER 2" X 2" 3.5K ZINC
CT3002Z	263082	STRAIGHT TONGUE COUPLER 2" X 2.5" 3.5K ZINC
CT3003Z	263214	STRAIGHT TONGUE COUPLER 2" X 3" 3.5K ZINC
CT5003Z	263318	STRAIGHT TONGUE COUPLER 2"X3" 5K ZINC
CT3001	262916	STRAIGHT TONGUE COUPLER 2" X 2" 3.5K LB OILY
CA5200B	263513	A-FRAME COUPLER 2 5/16" BALL, 10K BLK PRIMER
CT3003	263154	STRAIGHT TONGUE COUPLER 2" X 3" 3.5K LB OILY



Atwood® Straight Tongue Couplers

Atwood's 2" ball couplers feature a patented high strength wrap-around yoke with a sliding clamp for secure coupling. Part #80131 features a self-adjusting ball clamp which automatically adjusts to slight variations in ball size.

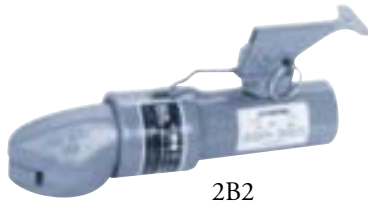


PART NO.	REF. NO.	TONGUE			
		BALL	SIZE	FINISH	CAPACITY
80050	263194	2"	3" SQUARE	PAINTED	3,500 LBS
80060	263297	2"	3" SQUARE	PAINTED	5,000 LBS
80081	263000	2"	2" SQUARE	PAINTED	5,000 LBS
80131	263359	2 5/16"	3" SQUARE	PAINTED	8,500 LBS



Bulldog® Straight Tongue Couplers

BULLDOG® drop-forged couplers offer spring-loaded collars which provide positive-action coupling, ensuring a snug fit onto the hitch ball.



PART NO.	REF. NO.	BALL	TONGUE SIZE	FINISH	CAPACITY
2B4	263401	2"	3" SQUARE	PAINTED	5,000 LBS
2B5	263390	2"	3 1/2" ROUND	PAINTED	5,000 LBS
3B4	263412	2"	3" SQUARE	PAINTED	7,000 LBS
4B2	263423	2 5/16"	2 1/4" O.D. ROUND SHANK	PAINTED	12,500 LBS
4B4	263434	2 5/16"	3" SQUARE	PAINTED	12,500 LBS

JACKS,
COUPLERS
& WINCHES

"Yard Dog" Straight Tongue Coupler

As tough as it's name, the "Yard Dog" coupler design has been popular in the rental industry for many years. This weldable coupler is made of 1030 cast steel.



PART NO.	REF. NO.	TONGUE			
		BALL	SIZE	FINISH	CAPACITY
WFH3	264123	1 7/8" & 2"	2" SQUARE	PAINTED	7,500 LBS
WFH3RK	264159	LATCH REPAIR KIT FOR WFH3			



Redline Straight Tongue Couplers



Zinc plated straight tongue couplers are ideal for marine, utility and cargo applications. Redline couplers are labeled, making them ideal for retail display.

Marine!



CP01-070

PART NO.	REF. NO.	BALL	TONGUE SIZE	FINISH	CAPACITY
CP01-010	262759	1 7/8"	2" SQUARE	ZINC PLATED W/LABEL	2,000 LBS
CP01-020	262816	1 7/8"	2 1/2" SQUARE	ZINC PLATED W/LABEL	2,000 LBS
CP01-030	262875	1 7/8"	3" SQUARE	ZINC PLATED W/LABEL	2,000 LBS
CP01-040	262979	2"	2" SQUARE	ZINC PLATED W/LABEL	3,500 LBS
CP01-050	263108	2"	2 1/2" SQUARE	ZINC PLATED W/LABEL	3,500 LBS
CP01-060	263234	2"	3" SQUARE	ZINC PLATED W/LABEL	3,500 LBS
CP01-070	263338	2"	3" SQUARE	ZINC PLATED W/LABEL	5,000 LBS

Shelby Straight Tongue Couplers



Shelby's "Posi-Lock" trigger action mechanism clamps and releases the ball for fast, easy and secure hookups.

JACKS, COUPLERS & WINCHES



5145



5144

PART NO.	REF. NO.	BALL	TONGUE SIZE	FINISH	CAPACITY
5143	262722	1 7/8"	2" SQUARE	OILY	2,000 LBS
5141	262795	1 7/8"	2 1/2" SQUARE	OILY	2,000 LBS
5144	262854	1 7/8"	3" SQUARE	OILY	2,000 LBS
5145	262896	2"	2" SQUARE	OILY	3,500 LBS
5142	263042	2"	2 1/2" SQUARE	OILY	3,500 LBS
5146	263132	2"	3" SQUARE	OILY	3,500 LBS
5175	263276	2"	3" SQUARE	OILY	5,000 LBS

Fulton® Straight Tongue Couplers



The Fas-Lok® latching mechanism on these Fulton® brand couplers permit quick and easy trailer hook-up, and is factory adjusted for end-user convenience. A coupler lock hole is provided for additional trailer security.



11200

PART NO.	REF. NO.	BALL	TONGUE SIZE	FINISH	CAPACITY
11200	765590	1 7/8"	2" SQUARE	OILY	2,000 LBS
22200	262937	2"	2" SQUARE	PRIMED	3,500 LBS
22250	263062	2"	2 1/2" SQUARE	OILY	3,500 LBS
22300	263174	2"	3" SQUARE	PRIMED	3,500 LBS

For Coupler Security Locks and Brackets See Page K-13 & K-16



A-Frame Couplers

Atwood's A-Frame Couplers are available with their patented wrap-around yoke style (A), a thumb latch style (B), or with a trigger style (C) locking mechanism. The #82680 undermount coupler, which has a thumb latch style locking mechanism, is widely used in the mobile home industry.



80071
Style A



81911
Style B



88555
Style C



PART NO.	REF. NO.	BALL	STYLE	TONGUE SIZE	FINISH	CAPACITY
80071	263469	2"	A	50° A-FRAME	PAINTED	5,000 LBS
88555	263491	2"	C	50° A-FRAME	PAINTED	8,000 LBS
80101	263502	2 5/16"	A	50° A-FRAME	PAINTED	8,500 LBS
81911	263524	2 5/16"	B	50° A-FRAME	PAINTED	10,000 LBS
82680	263558	2 5/16"	D	50° A-FRAME UNDERMOUNT	PAINTED	13,000 LBS
64-4102	263535	2 5/16"	C	50° A-FRAME	PAINTED	10,000 LBS
88050	264565	2" LATCH REPAIR KIT FOR FRANKLIN 64-4103/ATWOOD MARVEL 88000				
88061	264576	2 5/16" LATCH REPAIR KIT FOR FRANKLIN 64-4102/ATWOOD MARVEL 88007				

82680
Style D



See Page F-9 for additional latch repair kits.

BULLDOG® drop-forged couplers offer spring-loaded locking collars which provide positive-action coupling, ensuring a snug fit onto the hitch ball. Tongue size is 50° A-Frame.

PART NO.	REF. NO.	BALL	LATCH	FINISH	CAPACITY
2B8	263594	2"	LOW-PROFILE	PAINTED	5,000 LBS
3B8	263606	2"	LOW-PROFILE	PAINTED	7,000 LBS
4B8L	263628	2 5/16"	LOW-PROFILE	PAINTED	12,500 LBS
4B8	263639	2 5/16"	HI-PROFILE	PAINTED	12,500 LBS



4B8L

Shelby's "Posi-Lock" trigger action mechanism clamps and releases the ball for fast, easy and secure hookups.

PART NO.	REF. NO.	BALL	TONGUE SIZE	FINISH	CAPACITY
5172	263458	2"	50° A-FRAME	OILY	5,000 LBS
5113	263546	2 5/16"	50° A-FRAME	PAINTED	13K



5172

Fulton® A-Frame stamped couplers have high strength steel housings and are designed to weld onto frame members set at 50-degree angles. Part number 44150W is a cast steel coupler with the Wedge-Latch™ design, and has a cast shield to prevent latch damage.

PART NO.	REF. NO.	BALL SIZE	FINISH	CAPACITY
44305R	765545	2 5/16"	PRIME	10,000 LBS
44150W	263650	2 5/16"	PRIME CAST	15,000 LBS



For Coupler Security Locks and Brackets See Page K-13 & K-16

JACKS,
COUPLERS
& WINCHES



Coupler & Jack Combinations



The 140070 jack foot is perfect for your 2" and 2 1/4" round tube jacks. This jack foot comes complete with a 1/4" snapper pin to secure the foot to the jack tube.

For your convenience, we now offer 2 jack and coupler packages. These 2 packages offer quality product at affordable prices. The 2CJF-COMBO comes with a 2" A-frame coupler, 2K LB A-frame jack and a 2K lb jack foot. The 2CJ-COMBO comes with the 2" A-frame coupler and 2K LB. A-frame jack.

PART NO.	REF. NO.	DESCRIPTION
2CJF-COMBO	266682	2" A-FRAME COUPLER, 2K JACK COMBO W/JACK FOOT
2CJ-COMBO	266683	2" A-FRAME COUPLER, 2K JACK COMBO

JACKS, COUPLERS & WINCHES



3" Adjustable Pintle Eye



18128

Expect a long service life from this high quality forged pintle eye. Inside diameter of the ring is 3" and ring thickness is 1 5/8".

PART NO.	REF. NO.	DESCRIPTION	CAPACITY
18128	263918	EYE, W/4-HOLE BRACKET & BOLTS	14,000 LBS
18128XL	263919	EYE, W/6-HOLE BRACKET & BOLTS	14,000 LBS
16137	263917	EYE ONLY FOR 18128, 18128XL	20,000 LBS



Heavy Duty Adjustable Clevis, Coupler & Brackets



AC20XL8

CL20XL8

The 20K Wallace Forge clevis and coupler offer a 3-hole base for additional strength. This allows for a 20K rating when used with the C20-8 channel.

The clevis and coupler are also available with the channel and hardware.

PART NO.	REF. NO.	DESCRIPTION
AC20XL8	263896	ADJ 2-5/16" CAST CPLR 20K W/BOLTS/8-HOLE BKT
CL20XL8	263967	ADJ 1" CLEVIS 20K W/BOLTS/8-HOLE BKT
CL20	263964	ADJ 1" CLEVIS 20K 3-HOLE MOUNT
AC20	263893	ADJ CPLR 2-5/16" CAST 20K 3-HOLE MOUNT
C20-8	264103	CHANNEL BKT 8-HOLE FOR ADJ CPLRS



3/4" Adjustable Clevis

This forged clevis provides more strength than a cast equivalent. The black powder coat finish also resists rust and corrosion.

Takes a 3/4" diameter hitch pin, such as 34H on page K-8.



9095

PART NO.	REF. NO.	DESCRIPTION	CAPACITY
9095	263942	CLEVIS, W/4-HOLE BRACKET & BOLTS	12,000 LBS
9095XL	263943	CLEVIS, W/6-HOLE BRACKET & BOLTS	12,000 LBS
8979	263941	CLEVIS ONLY FOR 9095, 9095XL	12,000 LBS

1 7/8" & 2" Adjustable Tongue Couplers

**Keep Your Equipment Safe!
Protect It With A "Yard Dog"!**

As tough as it's name, the "Yard Dog" Coupler design has been popular in the Rental Industry for many years. The forged coupler housing is virtually indestructible.



JACKS,
COUPLERS
& WINCHES



WFAH3-A

PART NO.	REF. NO.	DESCRIPTION	CAPACITY
WFAH3	264129	COUPLER ONLY, NO BOLTS	7,500 LBS
WFAH3-A	264134	COUPLER ASSEMBLY, W/4-HOLE BRACKET & BOLTS	7,500 LBS
WFAH3-AXL	264139	COUPLER ASSEMBLY W/6-HOLE BRACKET & BOLTS	7,500 LBS
WFH3RK	264159	LATCH REPAIR KIT FOR WFH3, WFAH3	

For Coupler Security Locks and Brackets See Page K-13 & K-16.

2" Adjustable Tongue Couplers

The BULLDOG® brand features the only automatic and continuously tight ball fit in the industry. An adjustable coupler assures level operation for trailers when pulled by a variety of different vehicles.

3B6M



CTA190



PART NO.	REF. NO.	DESCRIPTION	CAPACITY
1040	263710	BULLDOG® COUPLER W/4-HOLE BRACKET & BOLTS	7,000 LBS
CTA190	263686	2" SLEEVE LOCK HEAD ADJ CPLR BLK W/NUTS&BOLTS	7,000 LBS
1040XL	263711	BULLDOG® COUPLER W/6-HOLE BRACKET & BOLTS	7,000 LBS
3B6M	263709	BULLDOG® COUPLER W/BOLTS FOR 1040, 1040XL	7,000 LBS



2 5/16" Adjustable Tongue Couplers

These couplers permit adjustment of the hitch height of the trailer, which allows the trailer to be towed by different vehicles. Atwood is equipped with Grade 8 bolts, while Bulldog, Wallace Forge and Fulton use Grade 5 bolts. Always follow manufacturer's recommendations for torque requirements.



WFAH4-A



2425160



CTA400



A256



4B6M



81906



JACKS,
COUPLERS
& WINCHES



07678-97



59602



PART NO.	REF. NO.	MANUFACTURER	BRACKET	BOLTS /NUTS	CAPACITY
WFAH4	264144	WALLACE FORGE "YARD DOG"	NONE	NO	12,000 LBS
WFAH4-A	264149	WALLACE FORGE "YARD DOG"	4 HOLE	YES	12,000 LBS
WFAH4-AXL	264154	WALLACE FORGE "YARD DOG"	6 HOLE	YES	12,000 LBS
A256C	263825	FULTON	4 HOLE	YES	14,000 LBS
A256CXL	263826	FULTON	6 HOLE	YES	14,000 LBS
81906C	263802	ATWOOD	4 HOLE	YES	14,000 LBS
81906CXL	263803	ATWOOD	6 HOLE	YES	14,000 LBS
1051	263733	BULLDOG	4 HOLE	YES	12,500 LBS
1051XL	263734	BULLDOG	6 HOLE	YES	12,500 LBS
CTA400	263755	PACIFIC RIM, STAMPED BLACK	NONE	YES	14,000 LBS
07678-97	263870	DEMCO EZ LATCH	NONE	NO	20,000 LBS (W/4 BOLTS)
2425160	263778	WALLACE FORGE	NONE	YES	14,000 LBS
81906	263801	ATWOOD	NONE	YES	15,000 LBS
4B6M	263732	BULLDOG	NONE	YES	12,500 LBS
A256	263824	BULLDOG	NONE	YES	14,000 LBS

Replacement Parts

PART NO.	REF. NO.	DESCRIPTION
9093	264018	GRADE 5 MTG BOLT 5/8" X 4 1/2" FOR WALLACE FORGE & BULLDOG
6-38	078800	5/8" LOCKNUT FOR WALLACE FORGE & BULLDOG
8978	264066	4-HOLE CHANNEL BRACKET FOR ALL, 14K
8978XL	264079	6-HOLE CHANNEL BRACKET FOR ALL, 14K
59602	264091	6-HOLE CHANNEL BRACKET FOR ADJ CPLRS, 20K (3/8" MAT'L)
80399	264030	MTG BOLT 5/8" X 4 1/2" GRADE 8 FOR ATWOOD
58LW	264041	5/8" LOCKWASHER FOR ATWOOD
58LN-GR5	264053	5/8" - 11 HEX LOCKNUT, GR5 FOR ATWOOD



Redline Packaged Coupler Latch Repair Kits



Trailer towing with a worn or broken coupler is dangerous. Worn or broken couplers should be replaced or repaired. Redline Kits are packaged for showroom display.



PART NO.	REF. NO.	MANUFACTURER	COUPLER STYLE	BALL
CP02-010	264422	ATWOOD	YOKE STYLE	2"
CP02-020	264433	ATWOOD	8031, 80281	2 5/16"
CP02-030	264444	ATWOOD	TRIGGER STYLE A-FRAME	2"
CP02-040	264457	SHELBY	POSI-LOCK, CLASS 1	1 7/8"
CP02-050	264469	SHELBY	POSI-LOCK, CLASS 2	2"
CP02-060	264483	SHELBY	POSI-LOCK, CLASS 3	2"
CP02-090	264514	FULTON	HANDWHEEL (308)	2"
CP02-110	264534	BULLDOG	HI-PROFILE HANDLE	ALL
CP02-120	264545	BULLDOG	PIN & RETAINER	ALL

Gooseneck Coupler Heads

Can be mounted on the trailer as a standard gooseneck coupler or in the truck bed. Removable steel pin secures hitch ball in the cast housing. Meets rated capacity only when used with the pin supplied.



K1



WF2



JACKS,
COUPLERS
& WINCHES

PART NO.	REF. NO.	BALL	DESCRIPTION	CAPACITY
K1	264235	2 5/16"	COUPLER HEAD WITH 1/2" LOCK PIN	30,000 LBS
WF2	264246	3"	GN COUPLER HEAD WITH 34SL PIN	40,000 LBS
12SL	264654		REPLACEMENT LOCK PIN FOR K1 COUPLER	
34SL	264666		REPLACEMENT LOCK PIN FOR WF2 COUPLER	

King Pin Gooseneck Coupler

Most gooseneck trailers are designed to be towed on a gooseneck hitch ball located in the bed of the tow vehicle. However, this king pin and pipe assembly is designed for those wanting to tow a gooseneck trailer with a 5th wheel hitch.

The king pin is specially designed with zero bolster. The 4" O.D. round tube will fit as an inner pipe on most standard gooseneck outer tubes. Always follow manufacturer's torque specs when tightening set screws.



PART NO.	REF. NO.	DESCRIPTION
2085205-DRILLED	264415	WALLACE KING PIN, 20" PIPE DRILLED PER HB SPECS
2085205	264416	22" PIPE, 4" O.D. RND TUBE, 22" LONG, LESS OUTER TUBE, 30K



Gooseneck Couplers



SAC2516-I



These couplers feature a one piece casting head with cone shaped bottom. Replacement screws and nuts are also available.

PART NO.	REF. NO.	BALL	TUBE O.D.	OVERALL HEIGHT	EXTENDED HEIGHT	CAPACITY
SAC2516-I	264301	2 5/16"	4 1/2" ROUND	28"	38"	24,000 LBS
SAC-BOLT	264632	REPL 3/4" - 10 X 3" SET SCREW FOR #SAC2516				
SAC-NUT	264643	REPL 3/4" NUT FOR #SAC2516				

FULTON

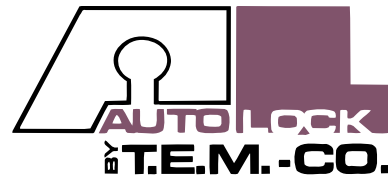
The Fulton cast steel gooseneck coupler head is designed for easy welding to 3" or 4" diameter tubing. Quick and easy latching action eliminates the need to be in the tow vehicle for hook-up.



GN24

PART NO.	REF. NO.	BALL	TUBE O.D.	CAPACITY
GN24	264212	2 5/16"	COUPLER HEAD ONLY	24,000 LBS

JACKS, COUPLERS & WINCHES



SM251628

LL2516ST



SM2516NP

T.E.M.'s "AutoLock" design works on the same principle as a 5th wheel. The jaws of the coupler open and unhook from the hitch ball without having to raise or lower the coupler.

AUTOLOCK						
PART NO.	REF. NO.	BALL	TUBE O.D.	OVERALL HEIGHT	EXTENDED HEIGHT	CAPACITY
SM2516NP	264224	2 5/16"	COUPLER ONLY NO PIPE			24,000 LBS
SM251628	264279	2 5/16"	4" ROUND	28"	NON-ADJUSTABLE	24,000 LBS
LL2516ST	264392	2 5/16"	4.5" SQUARE	28"	38"	24,000 LBS



Bulldog Gooseneck Couplers

BULLDOG® gooseneck couplers are quick, easy to engage, and are strong and secure on the road. The unique, patented, extruded locking plate design and higher strength steel components make BULLDOG® gooseneck couplers 65% stronger than similar products.



HBA2516



HBQ2516ADJ



HBQ2516TW



HBA2516-25K



HBA2516-30K

NOTE: Bulldog Gooseneck Couplers are in compliance w/SAE standard J2638.

PART NO.	REF. NO.	BALL	TUBE O.D.	OVERALL HEIGHT	EXTENDED HEIGHT	CAPACITY
HB2516NP	264200	2 5/16"	COUPLER ONLY, NO PIPE			20,000 LBS
HBA2516	264290	2 5/16"	4 1/2" ROUND	29 1/2"	37 1/2"	20,000 LBS
HBQ2516ADJ	264381	2 5/16"	4 1/2" SQUARE	32"	40"	25,000 LBS
HBQ2516TW	264405	2 5/16"	4 1/2" SQUARE	32"	39"	30,000 LBS
HBA2516-25K	264323	2 5/16"	4 1/2" ROUND	29 1/2"	37 1/2"	25,000 LBS
HBA2516-30K	264358	2 5/16"	4 1/2" ROUND	29 1/2"	37 1/2"	30,000 LBS

JACKS,
COUPLERS
& WINCHES

B&W Gooseneck Couplers

The Defender™

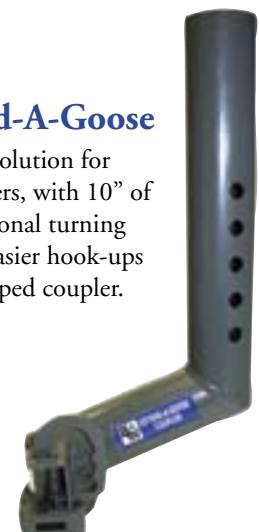


- 25,000 lb. GTWR, 7,500 lb. VTW, meets SAE J2638
- Integrated lock eliminates need for aftermarket lock. Push button keyed lock secures your investment. Locks your trailer when coupled or uncoupled. Locks are nickel plated brass with mechanical shutter that keeps out debris.
- Cone shaped coupler makes lining and hooking up your trailer easier, line up the ball, drop the trailer and you're on the road.
- Heavy wall tubing is above industry standard
- Increased vertical adjustment with more adjustment holes
- All moving parts are stainless steel, nickel or zinc plated for ease of service
- 22° articulation both left & right (industry standard is 20°)
- 15° articulation front to back



The Extend-A-Goose

Your shortbed solution for gooseneck trailers, with 10" of offset for additional turning clearance and easier hook-ups with funnel shaped coupler.



MADE IN THE USA

PART NO.	REF. NO.	DESCRIPTION
TEXA4200	264265	EXTEND-A-GOOSE COUPLER 10", 24K GTW
BW4250	264268	DEFENDER,™ BXD INNER GN PIPE W/INTEGRATED LOCK



Pacific Rim Gooseneck Couplers

STRONG & RELIABLE
RAM
"The Best Overall Value In The Industry"

GCPN25000 &
GCPN30000



GCSQ25000

These gooseneck couplers feature set bolts as well as 3/4" load bearing pin for firmly locking the extension position. They also feature a cone shaped bottom plate for easy hooking.

PART NO.	REF. NO.	DESCRIPTION
GCPN25000	264312	GN ROUND COUPLER 2 5/16" 25K W/2 SET SCREWS & PIN
GCSQ25000	264370	SQUARE GN COUPLER 2 5/16 25K W/PIN & SET SCREW
GCPN30000	264345	GN COUPLER ROUND 2 5/16" 30K W/2 SET SCREWS & PINS

Flat Mount Couplers

A flat mount coupler is an excellent alternative to tow rings or pintle hooks. These standard ball couplers work with 2 5/16" hitch balls. Mounts to most trailer nose plates.

JACKS,
COUPLERS
& WINCHES



PART NO.	REF. NO.	BALL	FINISH	
FMC251614	263990	2 5/16"	PAINTED	14,000 LBS
FC25	264001	2 5/16"	PAINTED	25,000 LBS



FMC251614



FC25



Square Mount Draw Bars and Nose Plates



Commonly used on equipment and over-the-road trailers, the flat back design of the following Draw Bars allows easy mounting on the nose plate. The bolt kits are approved for use with the respective draw bars/nose plates.



1250-15

6" SQUARE MOUNT DRAW BARS (4 1/2" FROM HOLE CENTER TO HOLE CENTER)						
PART NO.	REF. NO.	TYPE	EYE DIA.	GTW LBS	BOLT PATTERN	
1250-15	308400	SAF-HOLLAND	2 1/2"	40,000	4 BOLT	
R49A	308401	WALLACE	2 1/2"	42,000	4 BOLT	
1385	308600	SAF-HOLLAND	3"	60,000	4 BOLT	
R51A	308601	WALLACE	3"	66,000	4 BOLT	



TNP71675



NOSE PLATES			
PART NO.	REF. NO.	DESCRIPTION	FOR USE WITH:
TNP71675	308410	8 HOLE, 3/4" X 7" X 16"	R49A & 1250-15
TNP716100	308610	8 HOLE, 1" X 7" X 16"	R51A & 1385
BLT71675	308412	4 BOLTS, 4 NUTS, 4 WASHERS	TNP71675
BLT716100	308612	4 BOLTS, 4 NUTS, 4 WASHERS	TNP716100



Tow Ring Draw Bars



1250-3



Primarily used on equipment and utility trailers, the single point mounting design eliminates the need for a swivel type pintle hook in demanding off-road situations.

PART NO.	REF. NO.	TYPE	EYE DIAMETER	GTW LBS	SHANK DIMENSION
1250-3	307800	SAF-HOLLAND	2 1/2"	15,000	1 1/2" O.D. X 3 1/4" L
050A	307801	WALLACE	2 1/2"	20,000	1 1/2" O.D. X 3 1/4" L
051B	308001	WALLACE	3"	50,000	2" O.D. X 3 3/4" L

051B



Flat Draw Bars



1238



JACKS,
COUPLERS
& WINCHES

The Flat Bar design allows the following Draw Bars to easily bolt to the trailer tongue (#LW10 welds to trailer tongue). For all types of trailer applications.

PART NO.	REF. NO.	TYPE	EYE DIAMETER	GTW LBS	SHANK DIMENSION
LW10	308300	WALLACE	2 1/2"	10,000	2 1/2" WIDE, 2" LONG
1228-1	308800	SAF-HOLLAND	2 7/16"	20,000	7 BOLT, 3" X 14 1/4"
043D	308801	WALLACE	2 1/2"	20,000	7 BOLT, 3" X 14 1/4"
1238	309000	SAF-HOLLAND	3"	22,000	7 BOLT, 3" X 13 5/8"
052D	309001	WALLACE	3"	22,000	7 BOLT, 3" X 14 5/8"

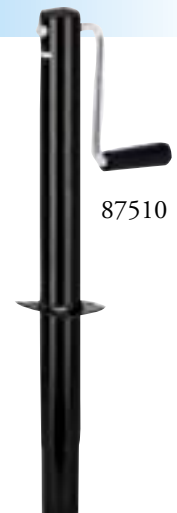


LW10



Atwood A-Frame Jacks

For mounting on A-Frame Couplers, the following Atwood jacks come with or without a mounting bracket, for bolt-on or weld-on applications. See page F-25 for Atwood casters and feet.



87510

PART NO.	REF. NO.	CAPACITY	LIFT	BRACKET HEIGHT	RETRACTED HEIGHT	WIND
87510	264866	2,000 LBS	14"	7.0"	24.9"	SIDE
80380	264775	5,000 LBS	14"	NO BRACKET	21.75"	TOP
80391	264798	5,000 LBS	14"	9.5"	22"	TOP



A-Frame Jacks



For mounting on A-Frame Couplers, the following jacks come with a mounting bracket for bolt-on or weld-on applications. The #155033CW comes with a removable steel wheel. The 15510 comes with a weld-on disc foot.

PART NO.	REF. NO.	CAPACITY	LIFT	BRACKET HEIGHT	RETRACTED HEIGHT	TYPE OF WIND
EA2000	264718	2,000 LBS	14"	8"	22.5"	TOP
140060	264787	5,000 LBS	14"	10.8"	26"	TOP
RV2000	264844	2,000 LBS	14"	8"	22"	SIDE
155022	264752	2,000 LBS	15"	8.5"	24.25"	TOP
155033	264741	2,000 LBS	15"	5.5"	23.25"	TOP
155033CW	264693	1,000 LBS	15"	12.50"	30.50"	TOP
155100	264764	2,000 LBS	15"	7.5"	28.25"	TOP
175020	264832	5,000 LBS	15"	10.7"	21.5"	TOP

Shelby A-Frame Jacks

JACKS, COUPLERS & WINCHES



For mounting on A-Frame Couplers, these Shelby jacks come with a mounting bracket for bolt-on or weld-on applications. The outer tube is painted black, and the inner tube is zinc plated. See part #5702 caster and #5703 foot on page F-27.

PART NO.	REF. NO.	CAPACITY	LIFT	BRACKET HEIGHT	RETRACTED HEIGHT	TYPE OF WIND
5718	264729	2,000 LBS	14"	8.25"	19"	TOP
5719	264809	5,000 LBS	14"	10.24"	19"	TOP

Atwood Pipe Mount Swivel Jacks



For industrial and agricultural applications. Atwood Pipe Mount Swivel Jacks are engineered for the most demanding situations, giving superior side-load stability over snap ring jacks. The inner Weld-on Pipe Swivel Bracket that attaches to the trailer is sold separately on page F-27.

PART NO.	REF. NO.	CAPACITY	LIFT	BRACKET HEIGHT	RETRACTED HEIGHT	TYPE OF WIND
80459	265132	2,000 LBS	10"	10.4"	14.2"	TOP
82332	265343	2,000 LBS	10"	10.7"	15.5"	SIDE
82471	265233	5,000 LBS	15"	10.6"	25.1"	TOP



Shelby Pipe Mount Swivel Jacks

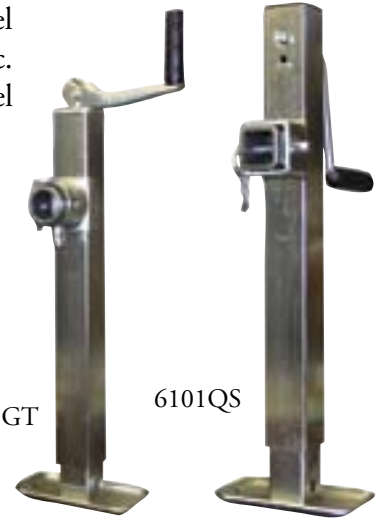
Shelby's Square Tube Pipe Mount Swivel Jacks are plated with an alkaline-based Zinc. Includes the inner weld-on pipe swivel bracket.

Marine!

PART NO.	REF. NO.	CAPACITY	LIFT	BRACKET HEIGHT	RETRACTED HEIGHT	TYPE OF WIND	MOUNT STYLE
6101GS	265383	3,500 LBS	15"	15.5"	24.25"	SIDE	ROUND
6101QS	265395	3,500 LBS	15"	15.5"	24.25"	SIDE	SQUARE
6105GT	265259	5,000 LBS	15"	15.5"	21.25"	TOP	ROUND
6105QT	265285	5,000 LBS	15"	15.5"	21.25"	TOP	SQUARE

6105GT

6101QS



BULLDOG® Pipe Mount Swivel Jacks

For industrial and agricultural applications, the following BULLDOG® Pipe Mount Jacks come complete with the inner weld-on pipe swivel bracket that attaches to the trailer. Painted outer tube, zinc plated inner tube. Part numbers 195362 and 195312 have a square mount.

PART NO.	REF. NO.	CAPACITY	LIFT	BRACKET HEIGHT	RETRACTED HEIGHT	TYPE OF WIND
158451	265160	2,000 LBS	10"	11.25"	18.5"	TOP
158109	265357	2,000 LBS	10"	11.25"	17"	SIDE
158452	265185	2,000 LBS	15"	14.5"	27.75"	TOP
158151	265372	2,000 LBS	15"	14.5"	26.5"	SIDE
178101	265196	5,000 LBS	10"	11.25"	18.5"	TOP
178201	265408	5,000 LBS	10"	10"	17.5"	SIDE
178151	265222	5,000 LBS	15"	14.5"	27.75"	TOP
178203	265439	5,000 LBS	15"	15"	21.75"	SIDE
198100	265298	7,000 LBS	10"	10"	18.5"	TOP
198150	265476	7,000 LBS	10"	10"	17"	SIDE
198200	265314	7,000 LBS	15"	15"	20"	TOP
198250	265487	7,000 LBS	15"	15"	22"	SIDE



158451



178101

JACKS,
COUPLERS
& WINCHES



SQUARE TUBE JACK							
PART NO.	REF. NO.	CAPACITY	LIFT	BRACKET HEIGHT	RETRACTED HEIGHT	TYPE OF WIND	
190706	265328	7,000 LBS*	15"	12.16"	22.41"	TOP	
195356	265451	5,000 LBS**	15"	15.1"	22.1"	SIDE	
195362	265463	5,000 LBS**	15"	15.1"	22.1"	SIDE	
195306	265246	5,000 LBS**	15"	15.2"	22.2"	TOP	
195312	265272	5,000 LBS**	15"	15.2"	22.2"	TOP	

* 7,000 lb. static, 5,000 lb. lift
** 5,000 lb. static, 3,000 lb. lift



190706



195362



Wallace Forge Pipe Mount Swivel Jacks



WF378674

Wallace Forge Pipe Mount Jacks offer the quality you expect from the name Wallace Forge. Every jack is backed by a 1 year warranty.



PART NO.	REF. NO.	CAPACITY	LIFT	BRACKET HEIGHT	RETRACTED HEIGHT	TYPE OF WIND	MOUNT STYLE
WF378674	789148	2K	15"	14.75"	25"	TOP	PIPE

Snap Ring Jacks



Snap Ring Jacks swing either direction to a position parallel with the tongue. The spring loaded single-lock pin secures the jack in an up or down position. The #87535 has a wheel attached for easy movement of the trailer when not connected to the tow vehicle. The Swivel Mount Brackets that attach the 87535 to the trailer are sold separately on page F-27.

PART NO.	REF. NO.	CAPACITY	LIFT	BRACKET HEIGHT	RETRACTED HEIGHT	TYPE OF WIND	TYPE OF FOOT
87535	264879	500 LBS	10"	13.6"	22.25"	SIDE	WHEEL



Fulton® Marine Jacks are zinc plated, equipped with a comfort grip handle, and have a reinforced poly wheel that is replaceable. All mounting hardware is included with either the bolt-on or weld-on version. Bolt-on models fit trailer tongues up to 3" x 5".



141304



Marine!

PART NO.	REF. NO.	CAPACITY	LIFT	BRACKET TYPE	BRACKET HEIGHT	RETRACTED HEIGHT	TYPE OF WIND	TYPE OF FOOT
141304	265006	1,600 LBS	10"	BOLT-ON	13.75"	25.5"	SIDE	WHEEL
XP10	264962	1,000 LBS	10"	BOLT-ON	12.75"	23.25"	SIDE	WHEEL



Bulldog® Snap Ring Jacks

BULLDOG® Snap Ring Jacks come complete with a weld-on bracket. Each jack has a painted outer tube and zinc inner tube.



151101



151401

PART NO.	REF. NO.	CAPACITY	LIFT	BRACKET TYPE	BRACKET HEIGHT	RETRACTED HEIGHT	TYPE OF WIND	TYPE OF FOOT
151401	265051	2,000 LBS	10"	WELD-ON	11.25"	18.5"	TOP	SAND
151101	265064	2,000 LBS	10"	WELD-ON	11.25"	17.5"	SIDE	SAND
151421	265091	2,000 LBS	15"	WELD-ON	14.5"	27.75"	TOP	SAND
171401	265104	5,000 LBS	10"	WELD-ON	11.25"	18.5"	TOP	SAND
171412	265117	5,000 LBS	15"	WELD-ON	14.5"	27.75"	TOP	SAND

JACKS,
COUPLERS
& WINCHES

Shelby Swivel Jacks

Shelby's Swivel Jack is a Bolt-Thru design (called OSD) with the jack tube offset from the bolt to allow easier access for mounting. Also engineered with a 6° camber to keep the jack centered under the tongue. Zinc coated with "supersealer" for added corrosion resistance. Fits 3" to 5" tongues. Includes mounting bracket.



The new "Diamond Series" wheel provides added durability to the advanced engineering design of the OSD jack family.



Marine!



5874A8

PART NO.	REF. NO.	CAPACITY	LIFT	BRACKET TYPE	BRACKET HEIGHT	RETRACTED HEIGHT	TYPE OF WIND	TYPE OF FOOT
5854	264912	1,000 LBS	10"	BOLT-ON	14.5"	22.75"	SIDE	6" WHL
5856	264924	1,000 LBS	10"	WELD-ON	14.5"	22.75"	SIDE	6" WHL
5874A8	264984	1,500 LBS	10"	BOLT-ON	16.5"	24.75"	SIDE	8" WHL
5876A8	264995	1,500 LBS	10"	WELD-ON	16.5"	24.75"	SIDE	8" WHL



Boxed Swivel Jacks



Marine!



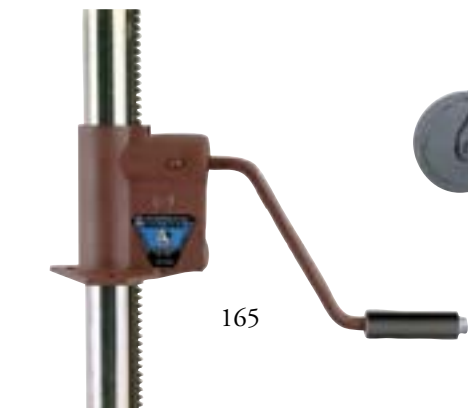
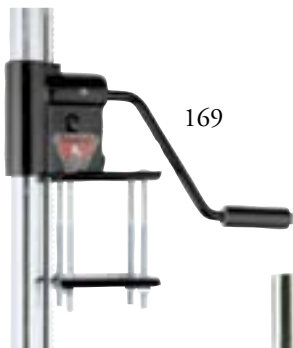
These replacement jacks feature a zinc plated finish for corrosion resistance and easy bolt-on design. They are boxed for convenience and showroom display. Poly caster and mounting brackets included.

PART NO.	REF. NO.	CAPACITY	LIFT	BRACKET TYPE	BRACKET HEIGHT	RETRACTED HEIGHT	TYPE OF WIND	TYPE OF FOOT
JP01-010	264890	1,000 LBS	9 3/8"	BOLT-ON	15 3/8"	23"	SIDE	WHEEL
EJ1000	264901	1,000 LBS	10"	BOLT-ON	12.75"	23"	SIDE	WHEEL

Bulldog Rack Posts and Gearboxes

Bulldog's ever-popular Rack Jacks are available in many mounting and foot options. Choose the gearbox and rack post best suited for your particular need.

JACKS,
COUPLERS
& WINCHES



PART NO.	REF. NO.	DESCRIPTION	TYPE	CAPACITY
161	265502	GEAR BOX	WELD-ON "L"	750 LB
165	265507	GEAR BOX	A-FRAME	750 LB
167	265512	GEAR BOX	WELD-ON PIPE	750 LB
169	265520	GEAR BOX	BOLT-ON	750 LB
018006	265528	RACK POST	STEEL WHEEL	750 LB
018007	265533	RACK POST	POLY WHEEL	750 LB
018520	265539	RACK POST	SAND FOOT	750 LB



Quality Made Import Jacks

From Names You Can Trust



140114



140085

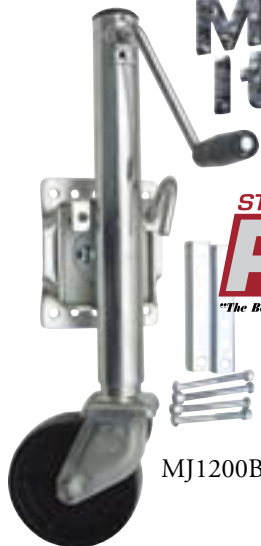


TJA2000B

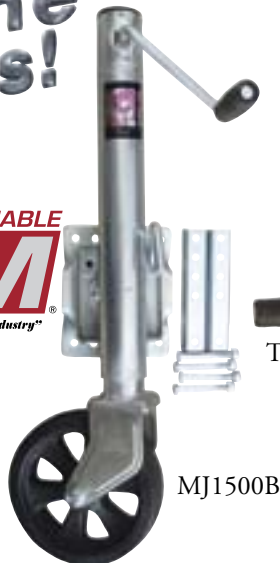


TJP2002B

New Marine Items!



MJ1200B



MJ1500B



TJP5001SB



TJP2001B



TJD7000

JACKS,
COUPLERS
& WINCHES

PART NO.	REF. NO.	DESCRIPTION
140114	265038	PRO SERIES 2K TW SNAPRING JACK W/WELD ON BKT
140085	265735	PRO SERIES 8K SW DROPLEG JACK
140080	265558	PRO SERIES 8K TW DROPLEG JACK
TJA2000B	264706	A-FRAME JACK 2K TOPWIND 8" BKT HEIGHT
MJ1200B	264951	BOLT-ON MARINE SWVL JACK 1200 LBS 6" WHL ZINC
TJA5000TB	264820	A-FRAME JACK 5K TW 10.5" BKT HEIGHT
TJD12000SPR	265926	10K DL JACK SPRING LOAD SIDE PIN W/HANDLE
MJ1500B	264973	BOLT-ON MARINE SWVL JACK 1500 LBS 8" WHL ZINC
TJP5001SB	265423	SWIVEL JACK PIPE MNT SIDE WIND 5K 10" LIFT
TJP2001B	265147	SWIVEL JACK PIPE MNT TOP WIND 2K 10" LIFT
TJB2002B	265077	SWIVEL JACK SNAP RNG WLD ON TW 2K 15" LIFT
TJB2001B	265025	SNAP RING 2K SWIVEL JACK WELD ON BKT TW
TJD7000	265569	7K LIFT, SQ TUBE DROP LEG JACK TOP WIND
TJD7000S	265751	7K LIFT, SQ TUBE DROP LEG JACK SIDE WIND
TJD12000SPF	265882	10K DROP LEG JACK FRNT PIN SPG LOAD W/HNDL
TJD12000F	265821	10K DROP LEG JACK FRNT PIN NON SPG W/HNDL

TJD7000S



TJD12000SPF



Atwood A-Frame Power Jacks



Atwood's Power Jacks allow hassle-free trailer lifting with a 12v DC electric motor. Suitable for use on 2 5/16" A-Frame couplers. These jacks eliminate the need for hand cranking. Both feature a courtesy light and manual override handle.

PART NO.	REF. NO.	CAPACITY	LIFT	BRACKET HEIGHT	RETRACTED HEIGHT	RATE OF TRAVEL
80515	266255	2,500 LBS	14"	10 1/8"	24 7/8"	4" PER MIN.
80718	266317	3,500 LBS	19"	10 1/8"	24 7/8"	7" PER MIN.

Electric A-Frame Tongue Jack



This Electric Tongue Jack takes the physical exertion out of cranking a trailer up or down. Simply push the button to quickly and effortlessly raise or lower the trailer into position with complete control. It comes with a large 3-bulb LED night light, 2 3/16" heavy wall outer tube, emergency crank through socket, 10 gauge connection with 30 amp fuse, and a removable foot pad. The JET-3500 comes with a 1 year warranty.



STROMBERG CARLSON PRODUCTS INC.

PART NO.	REF. NO.	DESCRIPTION
JET-3500	266302	3.5K CAP, 18" TRAVEL, WITH LED LIGHTS

Ultra-Fab Power Jack



The Ultra-Fab 3K, Electric, A-Frame Jack will mount in any A-Frame Coupler. The fast travel allows 10" of Lift in 30 seconds, saving time and effort. The durable powdercoat finish will keep your jack looking good. The UF3002 comes with a 1 year warranty on product defects only.

PART NO.	REF. NO.	DESCRIPTION
UF3002	266288	3K CAPACITY, 18" LIFT, A-FRAME ELECTRIC JACK

Magnum Lift Bolt-On Electric Motor



This bolt-on electric motor from Magnum Lift is a quick and easy upgrade to convert any standard size two-speed jack into a power jack, capable of lifting up to 6,500 lbs. at 7" per minute. In case of battery failure, the electric motor comes with a manual crank backup shaft (can be turned with a standard socket and ratchet, not included). Included is a mounting bracket, harnessed switch box with built-in circuit breaker and electrical connectors.

The Magnum Lift is 9-1/2" wide, can mount on either side of a two-speed jack, and comes with a 2 year warranty.



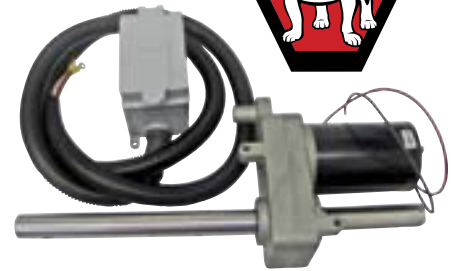
PART NO.	REF. NO.	DESCRIPTION
LEGB-2	266380	ELECTRIC MOTOR GEARBOX FOR 2-SPEED JACKS

JACKS, COUPLERS & WINCHES



Bulldog Bolt-On Electric Motor

The Bulldog Bolt-On Electric Motor will bolt to any existing 1-Speed 12K Bulldog Jack. The 182420 features easy installation with 7,500 lbs. of lifting power. This motor comes with everything you need to convert a manual crank Bulldog jack to an easy to use Power Jack.



PART NO.	REF. NO.	DESCRIPTION
182420	266410	ELECTRIC MOTOR FOR BULLDOG 12K JACKS 7.5K LFT

Leveling Scissor Jack

These Leveling Scissor Jacks work with most RV applications. With part# JSC-24, each jack is rated at 5,000 lbs, and 10,000 lbs. per pair. Part# BAL-24SJ is Made in the USA and each jack is rated at 7,500 lbs./15,000 lbs. per pair. Both come with a handle.



JSC-24



BAL-24SJ



JACKS, COUPLERS & WINCHES

PART NO.	REF. NO.	DESCRIPTION
JSC-24	267448	SET OF 2 SCISSOR JACKS W/HANDLE, BOXED 10K 24" LFT
BAL-24SJ	267469	SET OF 2 SCISSOR JACKS W/HANDLE, 15K, 24" LIFT
BAL-24011	267484	REPLACEMENT JACK FOR #BAL-24SJ
BAL-24033	267504	REPLACEMENT CRANK HANDLE FOR #BAL-24SJ

Stabilizer Jack

Designed as an easy-to-use practical means of leveling or stabilizing lightweight trailers of all types, this Jack is also used as a lightweight tongue stand. It can be bolted or welded to the inside or underside of the trailer tongue or frame.



PART NO.	REF. NO.	CAPACITY	LIFT	RETRACTED HEIGHT
TJ01RT	267397	750 LBS	6"	11 1/2"
80480	267432		HANDLE ROD FOR #TJ01RT	

Wheel Chocks

These Wheel Chocks have a tiered step design that provides grip between the wheel and the chock. The ribbed design on the bottom of the chock helps prevent slipping. The 3/4" eyebolt on the end of the chock can be easily chained to keep chocks together or to reduce theft. The Rumber® wheel chock, #HDWC2 is rated to withstand a rolling load of 32,000 lbs., while #HDWC1 is not rated.



Rumber is available in yellow & orange with eye bolt or handle.

HDWC1



HDWC2



PART NO.	REF. NO.	SIZE
HDWC1	404640	10" X 8" X 6"
HDWC2	404642	8" X 8" X 5"



Big Foot Hydraulic Jack



This product gets its name from its large 10” by 10” foot pad that won’t sink into soft ground. The jack is equipped with an adjustable mounting bracket and hardware to fit most gooseneck trailers. Comes complete with hydraulic cylinder and pump, hoses, switch control box, wiring harness and 120 amp breaker, along with the industry standard tube-in-tube jack design (4 1/2” outer tube for added strength). Requires automotive type 12v battery (not included).

The Big Foot comes with a 5 year warranty on the hydraulic cylinder, 2 years on all other parts, and 1 year on labor. The finish paint is gray and the product is boxed. A dual leg set is available as part number SQI24-C.

PART NO.	REF. NO.	DESCRIPTION
SQI24-I	266441	12K JACK 24” STROKE
SQI24-C	266449	24K TANDEM JACK SET 24” STROKE

JACKS, COUPLERS & WINCHES

Atwood Duraleg Jack



The Atwood Duraleg features 10K lbs. of lifting power and is easier to install than hydraulic jacks. The Duraleg features:

- Runs electric wires, not messy hydraulic lines.
- Works off 12v power source.
- Has a high efficiency motor and gear box
- Features sealed components, leaving the unit service free.

PART NO.	REF. NO.	DESCRIPTION
66369	266424	10K SINGLE BOXED W/ SINGLE CONTROL

Blaylock EZ Jack



The EZ Jack is an easy-to-use, safe and reliable device for changing tires on tandem axle trailers. Made of heavy-duty cast aluminum, it also functions as an excellent wheel chock.

PART NO.	REF. NO.	CAPACITY
EZ-JACK	404648	20,000 LBS



SAF-Holland Dropleg Jacks



The 48000 Series has been the industry standard for years. The DUALPIN Series offers greater Dropleg stability than single pin models. Its patented quick-release handle makes operation fast, simple and safer, keeping hands away from the load.

Both Series of Dropleg Jacks come standard with a 4 3/8" square outer tubing, and prime paint finish. Also available with handle and handle clip. Both Series offer the "springloaded" self-retracting leg option.

PART NO.	REF. NO.	STATIC LOAD	LIFT CAP.	DROPLEGRETRACTED		SPG LOADED	HANDLE INCL.
				LIFT	TRAVEL		
48000	265868	12,000 LBS	12,000 LBS	13 1/2"	12"	26 1/8"	NO YES
48000SL	265911	12,000 LBS	12,000 LBS	13 1/2"	12"	26 1/8"	YES YES
DUALPIN	266019	20,000 LBS	12,500 LBS	12"	14"	26 1/8"	NO YES
DUALPIN-SL	266020	20,000 LBS	12,500 LBS	12"	14"	26 1/8"	YES YES
LG8700-31	265869	12,000 LBS	12,000 LBS	13 1/2"	12"	26 1/8"	NO NO
LG8700-31SL	265912	12,000 LBS	12,000 LBS	13 1/2"	12"	26 1/8"	YES NO
LGD700-21	266021	20,000 LBS	12,500 LBS	12"	14"	26 1/8"	NO NO
LGD700-21SL	266022	20,000 LBS	12,500 LBS	12"	14"	26 1/8"	YES NO

DUALPIN Series



48000 Series

JACKS, COUPLERS & WINCHES

Shelby Dropleg Jacks

Shelby's line of Thoroughbred Square Tube Dropleg Jacks is manufactured with 12 gauge, 2.25" square steel tubing, that provides 70% more resistance to bending than comparable round tube jacks. They are also constructed with heavy duty ball bearings and copper infiltrated iron gears to reduce wear and extend the life of the jack. The cap on the top of the jack is removable, providing access to the gears for lubrication. Additionally, the handle has an oil-impregnated bushing for easy cranking and long life. Part 6100Z is zinc plated and includes mounting hardware that fits 3" to 5" tongues. All Thoroughbred Series Jacks carry a lifetime limited mechanical warranty.



PART NO.	REF. NO.	STATIC LOAD	LIFT CAP.	LIFT	DROPLEG TRAVEL	RETRACTED HEIGHT	TYPE OF WIND
6100Z	265653	2,500 LBS	2,500 LBS	15"	15"	24.25"	SIDE
6101B	265688	3,500 LBS	3,500 LBS	15"	15"	24.25"	SIDE
6108SW	265701	8,000 LBS	7,000 LBS	14.25"	14.5"	24.25"	SIDE
6108TW	265547	8,000 LBS	7,000 LBS	14"	14.5"	22"	TOP



BULLDOG® Dropleg Jacks



BULLDOG® Jacks offer a variety of capacities to meet your needs. The 180 and 190 series have a prime paint outer leg and zinc plated inner leg and drop tube. The 182 series jacks are primer paint throughout, and available with a self-returning springloaded dropleg. Part numbers ending in "H" include jack and handle. The 183 series are 2-speed models. The 183900 series jacks feature a traditional style 2-speed gearbox.

PART NO.	REF. NO.	STATIC LOAD	LIFT CAP.	LIFT	DROPLEG TRAVEL	RETRACTED HEIGHT	TYPE OF WIND	HANDLE INCL.	SPRING LOADED	PIN POSITION	OUTER TUBE
190704	265592	8,000 LBS	5,000 LBS	15"	13.5"	22.66"	TOP	YES	N/A	N/A	2.53"
190754	265790	8,000 LBS	5,000 LBS	15"	13.5"	22.66"	SIDE	YES	N/A	N/A	2.53"
190500	265580	8,000 LBS	5,000 LBS	15"	13.5"	22.66"	TOP	YES	N/A	N/A	2.53"
190510	265773	8,000 LBS	5,000 LBS	15"	13.5"	22.66"	SIDE	YES	N/A	N/A	2.53"
180354	265603	10,000 LBS	7,200 LBS	15"	13.5"	22.93"	TOP	YES	N/A	N/A	3.00"
180455	265805	10,000 LBS	7,200 LBS	15"	13.5"	25.67"	SIDE	YES	N/A	N/A	3.00"
182304	265625	12,000 LBS	10,000 LBS	12.5"	13.5"	23.5"	TOP	YES	NO	RIGHT	4.00"
182400	265854	12,000 LBS	10,000 LBS	12.5"	13.5"	27.5"	SIDE	NO	NO	RIGHT	4.00"
182400H	265853	12,000 LBS	10,000 LBS	12.5"	13.5"	27.5"	SIDE	YES	NO	RIGHT	4.00"
182417	265834	12,000 LBS	10,000 LBS	12.5"	13.5"	28.5"	SIDE	NO	NO	FRONT	4.00"
182417H	265833	12,000 LBS	10,000 LBS	12.5"	13.5"	28.5"	SIDE	YES	NO	FRONT	4.00"
182800	265941	12,000 LBS	10,000 LBS	12.5"	13.5"	27.5"	SIDE	NO	YES	RIGHT	4.00"
182800H	265940	12,000 LBS	10,000 LBS	12.5"	13.5"	27.5"	SIDE	YES	YES	RIGHT	4.00"
182817	265897	12,000 LBS	10,000 LBS	12.5"	13.5"	28.5"	SIDE	NO	YES	FRONT	4.00"
182817H	265896	12,000 LBS	10,000 LBS	12.5"	13.5"	28.5"	SIDE	YES	YES	FRONT	4.00"
183417	265956	12,000 LBS	10,000 LBS	12.5"	13.5"	29.5"	SIDE	NO	NO	FRONT	4.00"
183901	265972	12,000 LBS	10,000 LBS	12.5"	13.5"	29.5"	SIDE	NO	NO	FRONT	4.00"
183903	266001	12,000 LBS	10,000 LBS	12.5"	13.5"	29.5"	SIDE	NO	YES	FRONT	4.00"
183817	265987	12,000 LBS	10,000 LBS	12.5"	13.5"	29.5"	SIDE	NO	YES	FRONT	4.00"

JACKS, COUPLERS & WINCHES



183817



182800H



182417



182400



182304



183901



190500



190510



190754



180354



180455



183903



T.E.M. Dropleg Jack

A Dropleg Jack for heavier tongue trailers, the T.E.M. Dropleg Jack contain a 1 1/4" Acme screw with a 2" cast nut, 4" square outer tubing, and a primer painted finish.



PART NO.	REF. NO.	DESCRIPTION
TC10B	265636	15K STATIC LOAD, 10K LIFT CAPACITY, 8" LIFT, 12" DROPLEG TRAVEL, 27" RETRACTED HEIGHT, TOPWIND, INCLUDES HANDLE, NON-SPRINGLOADED, RIGHT PIN POSITION

SAF-Holland Heavy Duty Jacks

These Heavy Duty Jacks are made of 4 3/8" square outer tubing and are available with a single speed or two-speed gearbox. Combine two jacks to make a set of landing gear. Both the single speed and high gear on the two-speed gearbox operate at 4.5 turns per inch of travel. Low gear on the two-speed gearbox operates at 34.4 turns per inch of travel. The LG4700 jacks are non-spring loaded droplegs, while the LG4701 jacks are fixed leg.



LG4700

SAF-Holland heavy duty jacks are typically used on gooseneck trailers requiring very heavy weight bearing capacities. Finish is prime paint. 5 year warranty.

PART NO.	REF. NO.	STATIC LOAD	LIFT CAP.	LIFT	SPEED	DROPLEG TRAVEL	RETRACTED HEIGHT	HANDLE INCL.
LG4700-30	266171	50,000 LBS	25,000 LBS	13 1/2"	SET	12"	29 7/8"	YES
LG4700-31	266091	25,000 LBS	6,500 LBS	13 1/2"	SINGLE	12"	29 7/8"	YES
LG4700-31NH	266090	25,000 LBS	6,500 LBS	13 1/2"	SINGLE	12"	29 7/8"	NO
LG4700-32	266138	25,000 LBS	25,000 LBS	13 1/2"	TWO	12"	29 7/8"	YES
LG4700-32NH	266137	25,000 LBS	25,000 LBS	13 1/2"	TWO	12"	29 7/8"	NO



LG4701

PART NO.	REF. NO.	STATIC LOAD	LIFT CAP.	LIFT	SPEED	DROPLEG TRAVEL	RETRACTED HEIGHT	HANDLE INCL.
LG4701-71NH	266189	35,000 LBS	6,500 LBS	17"	SINGLE	N/A	34.25"	NO
LG4701-72NH	266205	35,000 LBS	35,000 LBS	17"	TWO	N/A	34.25"	NO
LG4701-71	266190	35,000 LBS	6,500 LBS	17"	SINGLE	N/A	34.25"	YES
LG4701-72	266206	35,000 LBS	35,000 LBS	17"	TWO	N/A	34.25"	YES

JACKS,
COUPLERS
& WINCHES



SAF-Holland Heavy Duty Landing Gear



Engineering Your Road to Success



The 51,000 Series Landing Gear is designed for strength and durability with strong ductile iron gears and 4 3/8" square outer tube. This SAF-Holland landing gear features a universal mounting bracket for inside or outside installation on semi-type trailers. High gear on the two-speed set operates at 4.5 turns per inch of travel, and low gear operates at 34.4 turns per inch of travel. LG4001-70 includes connecting pipe, strut brackets, crank handle, and clip. Finish is prime paint. 5 year warranty.



LG4001-70

51,000 SERIES LANDING GEAR SET								
PART NO.	REF. NO.	STATIC LOAD	LIFT CAP.	LIFT	SPEED	RETRACTED HEIGHT	HANDLE INCL.	
LG4001-70	266234	140,000 LBS	50,000 LBS	17"	SET	34.25"	YES	

REPLACEMENT JACKS FOR 51,000 SERIES LANDING GEAR								
PART NO.	REF. NO.	STATIC LOAD	LIFT CAP.	LIFT	SPEED	RETRACTED HEIGHT	HANDLE INCL.	
LG4001-71	266219	70,000 LBS	50,000 LBS	17"	SINGLE	34.25"	NO	
LG4001-72	266220	70,000 LBS	50,000 LBS	17"	TWO	34.25"	NO	

JACKS, COUPLERS & WINCHES

Dropleg Jack & Landing Gear Accessories

These are industry standard accessories. All handles are primer coated. The clip, bushing, connecting pipe, and crosspipe are raw steel. These accessories can also be used with heavy duty jacks and landing gear.



PART NO.	REF. NO.	DESCRIPTION
LG0083-01	267038	6" HANDLE
LG0083-02	267072	6" HANDLE, YOKE TURNED 90°
LG0083-03	267091	12" HANDLE
LG0085	267106	HANGER CLIP
LG0094	267161	CONNECTING PIPE FOR TANDEM JACKS, 1" O.D. X 64 1/2" LONG
CP42	267123	CROSSPIPE EXTENSION FOR CENTER MTD JACKS, 42" OVERALL LENGTH
CPB42	267141	1 1/2" X 2" BUSHING FOR CP42 JACK CROSSPIPE

Atwood RV Landing Gear



Ideal for 5th wheel trailers, the R.V. Landing Gear is constructed of heavy-gauge steel with a zinc-plated extension tube and drop tube. For additional convenience, add the 75391 electrical motor kit (12v DC) for automatic operation. The motor also allows manual override.

Note: Use of the 75391 motor decreases the capacity rating of the 75333 landing gear to 5,000 lbs.

PART NO.	REF. NO.	CAPACITY	LIFT	DROPLEG TRAVEL	TOTAL ADJUSTMENT
75333	266363	6,000 LBS	20"	16"	36"
75391	266348	ELECTRIC MOTOR FOR 75333			

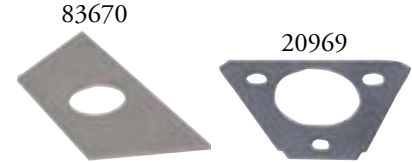


Atwood A-Frame Jack Support Plates and Flanges

These A-frame jack accessories are used to provide additional lateral support for A-frame jacks. Replacement Jack Flanges are available for repair or changing bracket mounting heights.



PART NO.	REF. NO.	DESCRIPTION
83670	266991	BOTTOM SUPPORT PLATE FOR 2K & 5K, 2.28" I.D. CENTER HOLE
20969	266975	REPL. A-FRAME FLANGE FOR 2K & 5K, 2.21" I.D. CENTER HOLE



Jack Feet and Casters



A selection of Jack Feet and Casters fit A-Frame and tubular jacks. Atwood Feet and Casters feature "twist-lock" mounting for easy attachment and removal on Atwood jacks.

PART NO.	REF. NO.	DESCRIPTION	BRAND
5702	266474	2K ZINC JACK CASTER FOR 5718 A-FRAME JACK	SHELBY
5703	266545	5K ZINC JACK FOOT FOR 5718 A-FRAME JACK	SHELBY
JP02-050	266560	JACK FOOT, ZINC, 2K FOR A-FRAME JACKS	REDLINE
140070	266576	FOOT PLATE & PIN FOR 5K A-FRAME JACKS	PRO SERIES
80259	266513	2" X 6" POLY CASTER, FOR 1K JACKS W/ 1 3/4" TUBE	ATWOOD
80552	266527	2" X 6" POLY CASTER, FOR 2K & 5K JACKS W/ 2" TUBE (CASTER RATED AT 1K CAP)	ATWOOD
82650	266620	JACK FOOT FOR 2K & 5K JACKS W/ 2" TUBE	ATWOOD
82660	266635	6 3/4" TALL JACK FOOT FOR 2K & 5K W/ 2" TUBE	ATWOOD
017125	266501	1 3/4" X 6" STEEL CASTER W/ LOCKPIN, FOR 2K & 5K JACKS W/ 2" TUBE (CASTER RATED AT 1K CAP)	BULLDOG
018173	266605	4" TALL JACK FOOT FOR 2K & 5K W/ 2" TUBE	BULLDOG



JACKS, COUPLERS & WINCHES



Swivel Jack Mounting Brackets

Choose the style to suit your need and jack type, whether a snap ring or pipe mount. Most parts are brand specific.



PART NO.	REF. NO.	DESCRIPTION	BRAND
87501	266875	WELD-ON BRACKET & SNAP RING FOR 1K	ATWOOD
87502	266893	BOLT-ON BRACKET & SNAP RING FOR 1K	ATWOOD
81271	266909	WELD-ON PIPE SWIVEL BRACKET FOR 2K, 5/8" PIN HOLE DIAMETER	ATWOOD
82500	266926	WELD-ON PIPE SWIVEL BRACKET FOR 5K, 7/8" PIN HOLE DIAMETER	ATWOOD
005006	266943	WELD-ON PIPE SWIVEL BRACKET FOR 5K, 5/8" PIN HOLE DIAMETER	BULLDOG
005024	266958	WELD-ON PIPE SWIVEL BRACKET FOR 7K, 5/8" PIN HOLE DIAMETER	BULLDOG
015904	266844	REPL. RING ONLY, FOR MOST SNAP RING SWIVEL JACKS	BULLDOG
015909	266860	WELD-ON BRACKET ONLY, USE W/ 015904 SNAP RING	BULLDOG





Redline Jack Repair Parts



Redline Jack Repair Kits include the parts needed to perform the most common jack repairs. Packaged for pegboard display.



JP02-010



JP02-020



JP02-030



JP02-050

PART NO.	REF. NO.	DESCRIPTION
JP02-010	266648	TOPWIND HANDLE, FITS ATWOOD, SHELBY & FULTON JACKS
JP02-020	266666	TOPWIND HANDLE, FITS BULLDOG 2-5K JACKS
JP02-030	266679	TOPWIND HANDLE, FITS FULTON & BULLDOG 7K DROPLEG JACKS
JP02-050	266560	JACK FOOT, ZINC, 2K FOR A-FRAME JACKS
JP02-100	266723	9/16" PIN & CHAIN FOR BULLDOG PIPE MNT JACKS
JP02-110	266740	5/8" PIN & CHAIN FOR BULLDOG 7K SWIVEL JACKS
JP02-150	266778	1/2" PLUNGER PIN ASSEMBLY FOR BULLDOG SWIVEL JACKS
JP02-200	266828	SNAP RING, FITS MOST SWVL JACKS

SAF-Holland Jack Repair Parts

JACKS, COUPLERS & WINCHES



PP0013-70



LG0266



LG1494-01

PART NO.	REF. NO.	DESCRIPTION
XB-LG2024-01	267054	LOCK PIN FOR BINKLEY DUAL PIN JACK
LG1462	799127	CROSS SHAFT BUSHING FOR DROP LEG JACK 48000
XB-GP-014-07	267197	DRIVE LOCK PIN SOLID 1/4 DIA X 1 1/2 EH
XB-LG2006	267211	HANDLE SPRING FOR BINKLE DUAL PIN JACK
XB-LG2026	267233	PINION GEAR FOR DUAL PIN JACK
XB-LG2027	267251	BEVEL GEAR FOR DUAL PIN DROPLEG JACK
LG1720-01	267272	FOOT FOR DROPLEG JACK 48000
LG1494-01	267295	UPPER MITER GEAR FOR DROPLEG JACK 48000
LG1495-01	267314	LOWER MITER GEAR W/ HUB FOR DROPLEG JACK 48000
PP0013-70	267334	THRUST BEARING FOR DROPLEG JACK 48000
LG0880	267352	TOP CAP FOR DROPLEG JACK 48000 (NEW STYLE)
LG0266	267373	STRUT BRACKET FOR LANDING GEAR

BULLDOG® Jack / Coupler Repair Parts



015500



025201



024192

PART NO.	REF. NO.	DESCRIPTION
701472	266817	REPL PIN FOR 190 SERIES DROP LEG JACKS
015500	267015	CAP FOR SIDEWIND JACKS
024190	264587	RELEASE HANDLE FOR 2B & 4B COUPLERS
024192	264598	COLLAR CLIP FOR 2B & 4B COUPLERS
025201	264609	SNAPPER PIN & CHAIN FOR PIN RELEASE COUPLERS
025230	264621	COUPLER RELEASE PIN FOR 024190 HANDLE



Marine!

Shelby Winches



Engineered for strength and durability, every winch meets or exceeds SAE standard J1853. Bushings are oil impregnated for smooth operation and long life. Frames are embossed for added strength. Gears, pawls, and ratchets are heat treated. All winch reels have bolt holes for use with winch straps. Metal parts are zinc plated with “supersealer” to give a long-lasting finish that is resistant to corrosion. The finishing touch is a dimpled handle that provides a comfortable grip for the user.

POSH-LOCK SINGLE SPEED WINCH				
PART NO.	REF. NO.	CAPACITY	GEAR RATIO	RATCHET STYLE
5400	408800	400 LBS	RATCHET	1-WAY
5403	409010	900 LBS	3.1:1	1-WAY
5404	409410	1,200 LBS	4.1:1	1-WAY
5405	409420	1,400 LBS	4.1:1	2-WAY
5407	409610	1,700 LBS	5.1:1	2-WAY
5408	409810	1,900 LBS	5.1:1	2-WAY
5409	409815	2,100 LBS	5.1:1	2-WAY
0937	412420	REPL HANDLE FOR 5403, 5404, 5405, 7" LONG		
0854	412430	REPL HANDLE FOR 5409, 10" LONG		

POSH-LOCK TWO SPEED WINCH				
PART NO.	REF. NO.	CAPACITY	GEAR RATIO	RATCHET STYLE
5460	409835	2,300 LBS	4.2:1 / 11.8:1	2-WAY
5470	410100	2,800 LBS	5.1:1 / 14.7:1	2-WAY
5480	410150	3,200 LBS	5.1:1 / 14.7:1	2-WAY
5481	410175	3,200 LBS	5.1:1 / 14.7:1	2-WAY W/HAND BRAKE
2400	412450	REPL HANDLE FOR 5460, 5470, 5480, 10" LONG		

POSH-LOCK BRAKE WINCH				
PART NO.	REF. NO.	CAPACITY	GEAR RATIO	RATCHET STYLE
5351	410500	1,000 LBS	4.1:1	AUTOMATIC BRAKE
5352	410700	1,500 LBS	5.1:1	AUTOMATIC BRAKE
5353	410900	2,500 LBS	15.8:1	AUTOMATIC BRAKE

Unique Features Include:

- cold-forged steel pinion gear (400 lb to 1,400 lb winch)
- stacked steel pinion gear (1,700 lb to 2,100 lb winch)
- one-way ratchet free spools in “off” position
- two-way ratchet free spools in “center” position



Unique Features Include:

- winch reel has cable keeper
- stacked steel pinion gear for added strength
- handle will not spin in free-spool “center” position
- change gears without removing handle (press lock lever and then shift gears)



Unique Features Include:

- winch reel has cable keeper
- stacked steel pinion gear for added strength
- dual friction brake pad to stop motion when handle is released
- covered brake mechanism to protect against oil, dirt, and the elements



JACKS, COUPLERS & WINCHES

Fulton Single Speed Winches



Fulton® Single Speed Winches are designed to meet your toughest pulling demands. They feature efficient gear ratios, full-length drum bearings, oil impregnated shaft bushings and patented “Comfort Grip” handle for ease of cranking. All gears are high carbon steel for superb strength and long term durability. Stamped carbon steel frames provide rigidity for gear alignment and long cycle life. Zinc finishes provide excellent corrosion resistance in all environments. All models are designed for use with rope or strap.

PART NO.	REF. NO.	CAPACITY	GEAR RATIO	RATCHET STYLE
T11000301	409411	1,100 LBS	4.1:1	2-WAY
T1300	409415	1,300 LBS	4.1:1	2-WAY
T1801	409710	1,800 LBS	5.1:1	2-WAY

Marine!



Winch Straps

Our Winch Straps are made of polyester webbing with a forged slip hook on one end. The looped end of the 5604 is ideal for personal watercraft use.

PART NO.	REF. NO.	DIMENSIONS	CAPACITY
6030	412600	2" X 20 FT	4,000 LBS
5604	412550	2" X 15 FT	4,000 LBS





Ramsey Electric Winches



REP Series



The REP Series from Ramsey Winch is ideal for heavy weight applications where strong line pull rating is required, along with fast line speed. This winch is equipped with a three-stage planetary gear system, automatic load-holding brake, cam action clutch that disengages the planetary gear system for free spooling, and hawse fairlead. The REP8000H has a 3.8 horsepower 12v DC series wound motor.

Limited Lifetime Warranty

PART NO.	REF. NO.	DESCRIPTION	LINE SPEED**	AMP DRAW*	MAX RATED LINE PULL*	CABLE LENGTH	TYPE OF CONTROL
REP8000H	412735	ELECTRIC WINCH	36FPM / 5FPM	87 / 405	8K TO 4.8K	95 FT	12FT CABLED PENDANT

* First figure is with no load; second figure is at max. rated line pull (measured at the first layer of cable)
 ** Variable due to number of layers of cable on drum
 FPM = feet per minute

TR Series

JACKS, COUPLERS & WINCHES



Ramsey's TR5000 winch is specifically designed for the trailer market; with its proven 3-stage planetary gear system designed for fast line speed, its automatic load-holding brake, and cable tensioner system. A convenient mounting platform with hawse fairlead, weather resistant solenoid assembly, and 12 ft. wire pendent remote round out this package. The TR5000 has a 1.3 horsepower 12v DC permanent magnet motor.

Limited Lifetime Warranty

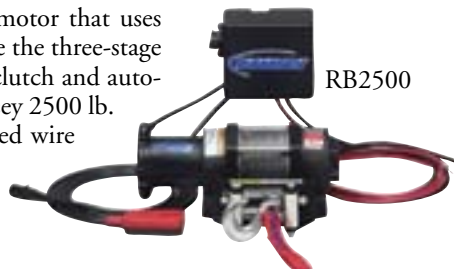
PART NO.	REF. NO.	DESCRIPTION	LINE SPEED**	AMP DRAW*	MAX RATED LINE PULL*	CABLE LENGTH	TYPE OF CONTROL
TR5000A	412739	ELECTRIC WINCH	15FPM / 5FPM	45 / 230	5K TO 3.2K	50 FT	12FT CABLED PENDANT

* First figure is with no load; second figure is at max. rated line pull (measured at the first layer of cable)
 ** Variable due to number of layers of cable on drum
 FPM = feet per minute

Badger Series



The Ramsey Badger Series provides excellent pulling power in a small package. The Badger has a 12v DC permanent magnet motor that uses minimal amp draw, while providing 0.9 horsepower to drive the three-stage planetary gear system. Other features include a free-spool clutch and automatic load-holding brake not previously available on a Ramsey 2500 lb. winch. The Badger is also equipped with 50 feet of spooled wire rope that is anchored to the winch drum. Additionally, each winch includes a roller fairlead. To attach the fairlead to the winch, the mounting plate (RB2500-MP) must be used.



Limited Lifetime Warranty

PART NO.	REF. NO.	DESCRIPTION	LINE SPEED**	AMP DRAW*	MAX RATED LINE PULL*	CABLE LENGTH	TYPE OF CONTROL
RB2500	412727	ELECTRIC WINCH	18FPM / 7.5FPM	36 / 140	2.5K TO 1.4K	50 FT	12FT CABLED PENDANT
RB2500-MP	412725	MOUNTING PLATE FOR RAMSEY BADGER ELECTRIC WINCH					

* First figure is with no load; second figure is at max. rated line pull (measured at the first layer of cable)
 ** Variable due to number of layers of cable on drum
 FPM = feet per minute



Fax: _____ Attn: _____

Sold To:



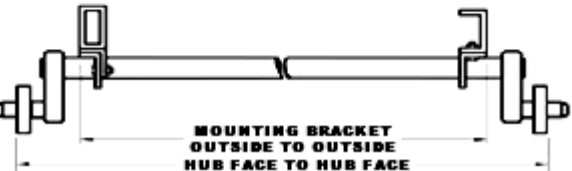
Ship To:

Customer #: _____ Customer PO#: _____ Part #: _____

Customer Order #: _____ Ship via: _____

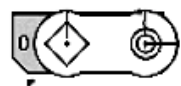





From CSR: _____ Branch: _____ Branch Fax #: _____

Tubular Axle: <input type="checkbox"/>	<input type="checkbox"/> Beam Only
Axle Tube: <input type="checkbox"/> Round (Std)	<input type="checkbox"/> Square
Brake:	<input type="checkbox"/> Idler <input type="checkbox"/> Idler Flgd <input type="checkbox"/> Electric <input type="checkbox"/> Single Servo Hyd <input type="checkbox"/> Duo Servo Hyd <input type="checkbox"/> Freeback <input type="checkbox"/> Hyd Disc <input type="checkbox"/> w/ Parking Brake <input type="checkbox"/> Air <input type="checkbox"/> ABS <input type="checkbox"/> Spring Brakes <input type="checkbox"/> Freeback Marine
Spindle Type:	<input type="checkbox"/> Straight <input type="checkbox"/> 4" Drop <input type="checkbox"/> 6" Drop (3.5K) <input type="checkbox"/> EZ Lube <input type="checkbox"/> Nev-R-Lube <input type="checkbox"/> Oil <input type="checkbox"/> Std Grease <input type="checkbox"/> w/ Brake Flange
Cambered:	<input type="checkbox"/> Yes <input type="checkbox"/> No
Drop Center (V-Camber):	<input type="checkbox"/> Yes <input type="checkbox"/> No
Stud Size:	<input type="checkbox"/> 1/2 <input type="checkbox"/> 5/8 Flgd <input type="checkbox"/> 9/16 <input type="checkbox"/> 5/8 Coned
Capacity:	_____
Bolt Pattern:	_____
Hub Face:	_____
Spring Center/Outside Bracket:	_____
Axle Finish:	<input type="checkbox"/> Painted (Std) <input type="checkbox"/> Galvanized

Torflex Axle: <input type="checkbox"/>	<i>Square Tube Only</i>
Spindle:	<input type="checkbox"/> Short <input type="checkbox"/> Long
	
	
	

AP Brackets:	<input type="checkbox"/> Less AP Brackets (Topmount)	<input type="checkbox"/> w/ AP Brackets (Sidemount)
Overslung: <input type="checkbox"/>	Underslung: <input type="checkbox"/>	Hub. Dia. For 2K 545 <input type="checkbox"/> 5.5, 8-12" Wheels <input type="checkbox"/> 6.5, 12-15" Wheels
Additional Options: _____		

Torflex Start Angle

0 <input type="checkbox"/>	10 Up <input type="checkbox"/>	22.5 Up <input type="checkbox"/>
		
10 Down <input type="checkbox"/>	22.5 Down <input type="checkbox"/>	45 Down <input type="checkbox"/>
		

How Many: _____ Price Each: _____

THANK YOU FOR YOUR ORDER! TO HELP US AVOID DELAYS AND PROVIDE YOU WITH THE PRODUCTS YOU NEED FOR YOUR PRODUCTION, PLEASE DOUBLE CHECK THE MEASUREMENTS AND ADVISE US OF ANY CORRECTIONS.

I VERIFY THAT THE PARTS/AXLES INDICATED ABOVE ARE CORRECT AND ACKNOWLEDGE THAT ALL SPECIAL ORDER AXLES ARE NON-REFUNDABLE AND MAY REQUIRE A DEPOSIT.

Customer Signature (required): _____ Date: _____

For questions or concerns, contact us at: _____ and ask for _____

If confirmation & deposit are received by: _____ Estimated ship date: _____